



DA-P 20-130/T

- very good speech intelligibility
- high impact ABS plastic
- quick mounting

The 20W powered speaker is equipped with a 130mm full-range loudspeaker chassis and a 100V line transformer with 4 power adjustments. A robust ABS-plastic housing in white, and a solid mounting bracket ensures the permanent installation of this speaker.

The speaker is secured with the high protection class IP 56 against the risks of environmental influences.

Perfectly suitable for the installation in corridors and hallways.

Optionally available is a mast bracket (MB) for about 200mm mast diameter.

Technical Data

Description	DA-P 20-130/T
Power	20/10/5/2,5 W
Frequency Range	150 - 20.000 Hz
Frequency Response	120 - 21.000 Hz
SPL 1W/1m, peak	99,5 dB
SPL Pmax/1m, peak	112,5 dB
Sensitivity 1W/1m	91,5 dB
Dispersion (-10dB)	360° (h) / 360° (v)
Temperature range	-20 / +90 °C
Dimensions	140x195 mm
Weight (net)	1,25 kg
Colour	white
Connector	5-pin cable
Mounting	Mounting bracket
Packing Unit	8
Accessories	MB 200
Impedance	1
IP Rating	IP56

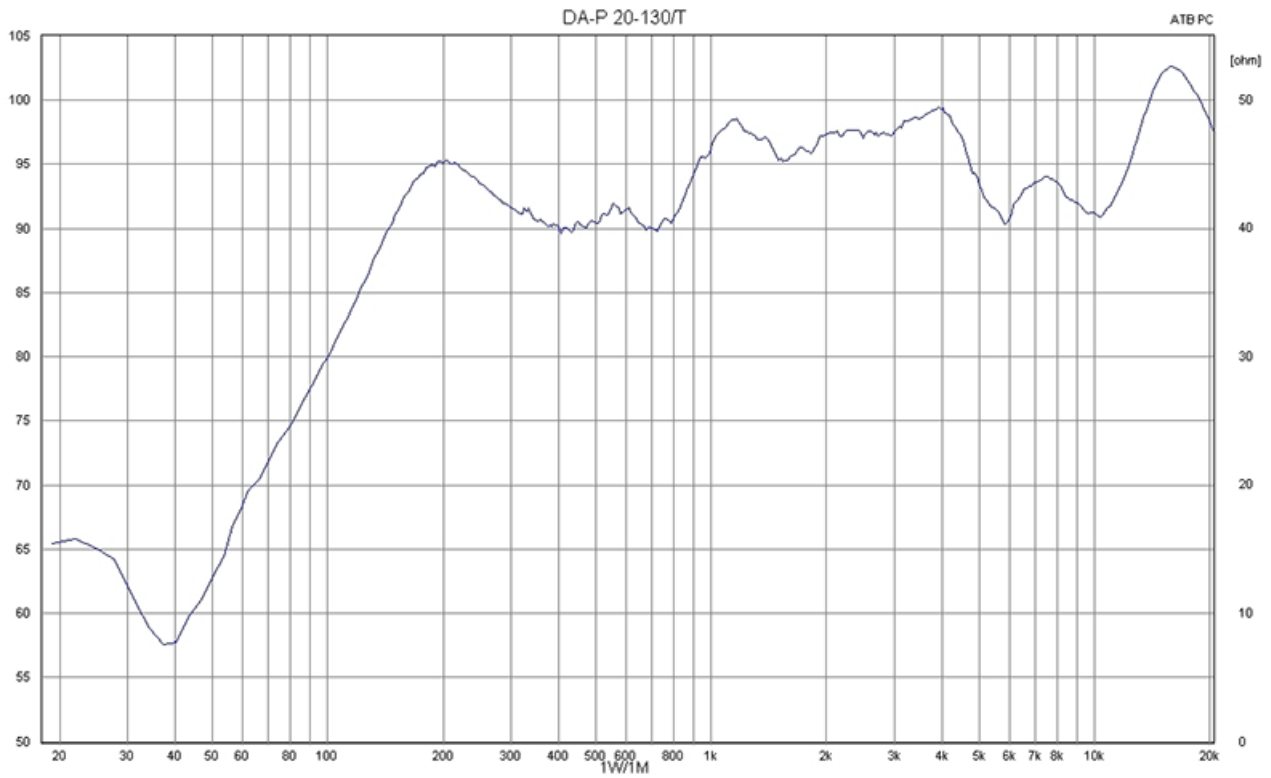
Product Attributes



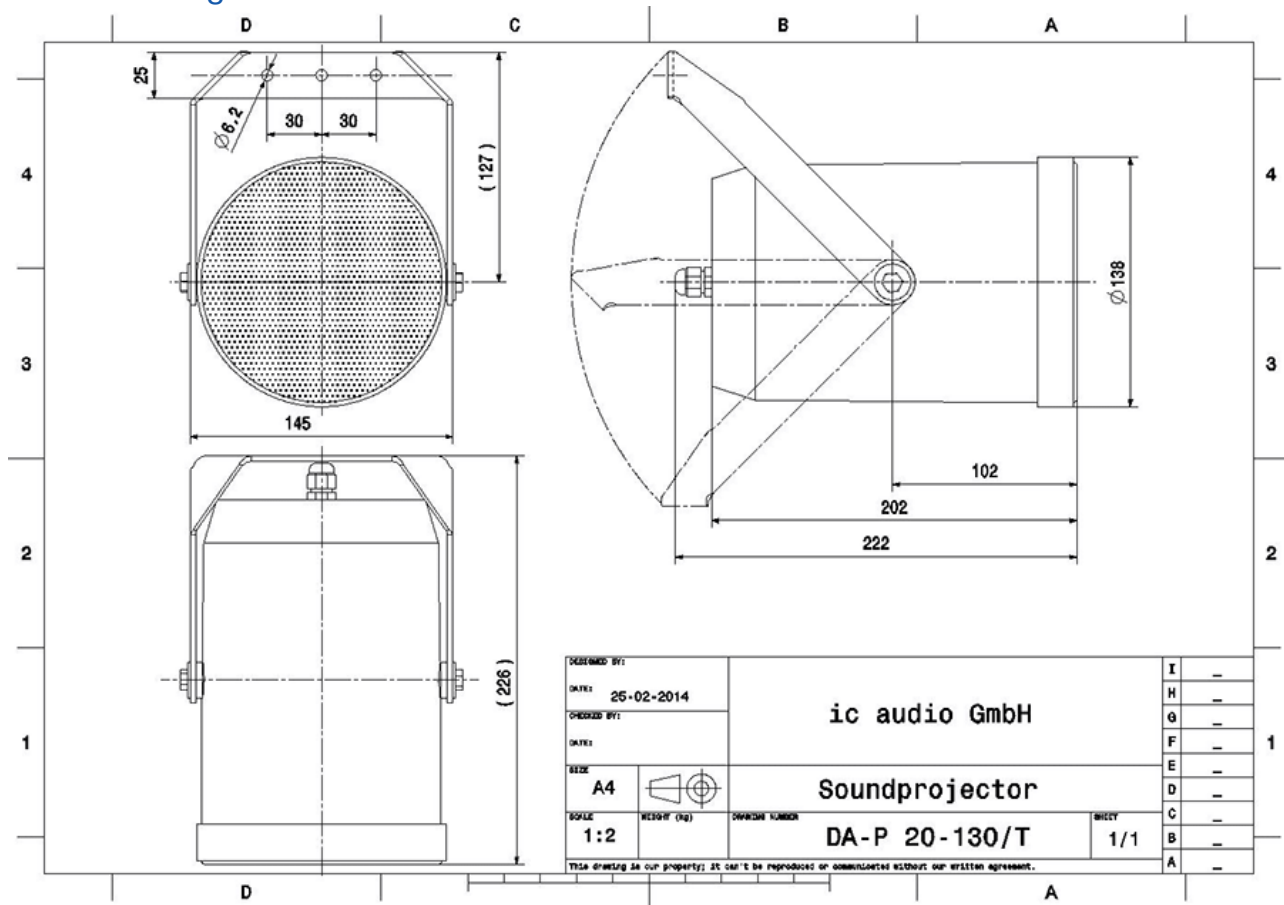
Polar Diagrams

Für dieses Modell keine Grafik vorhanden

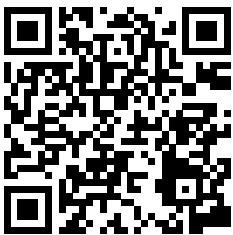
Frequency Response Diagrams



Technical Diagrams



Measurements according to DIN IEC 268-5 | RoHS compliant (2011/65/EU)


 Article Nr.:
61520130

 Packing Unit:
8
